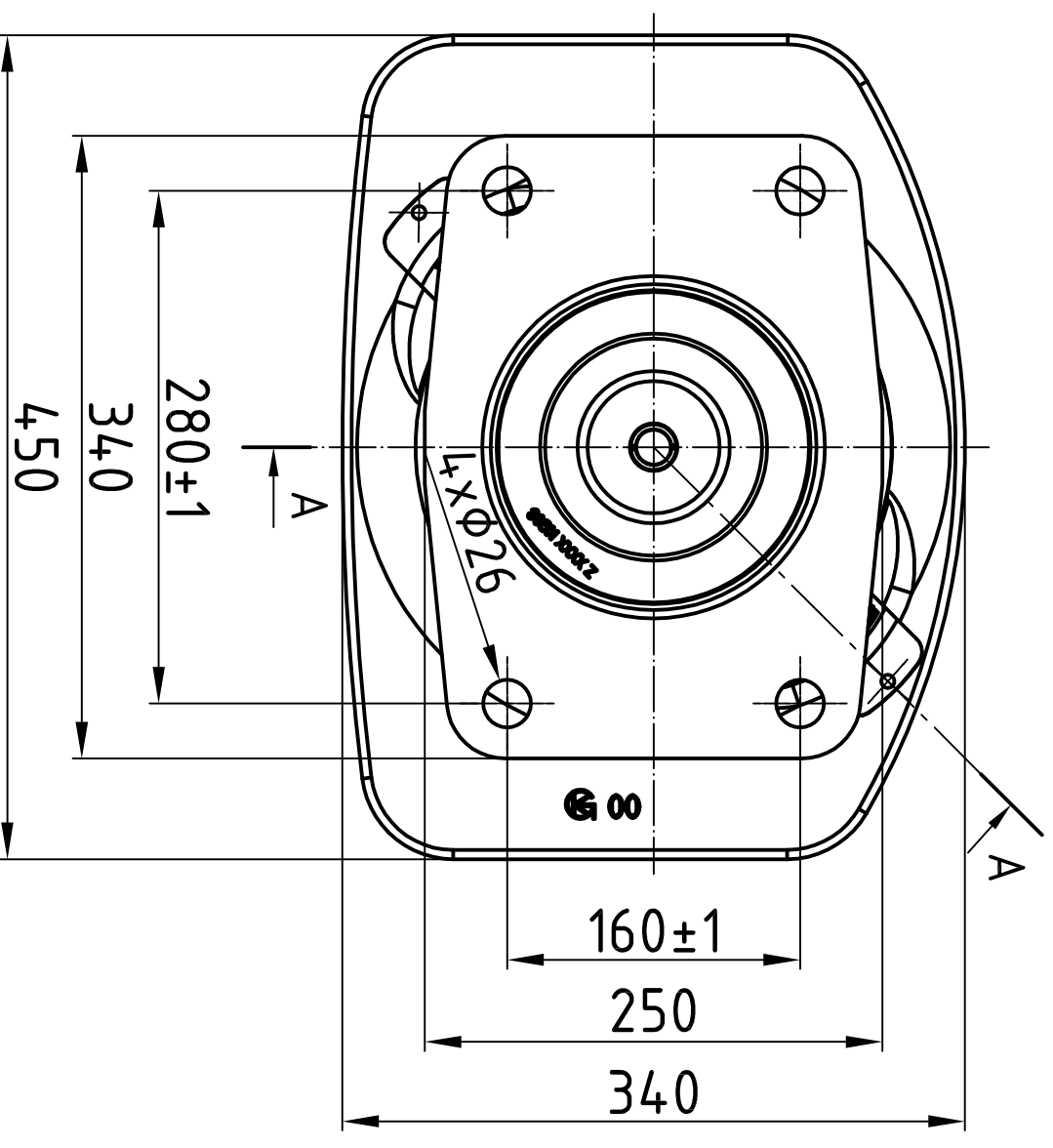
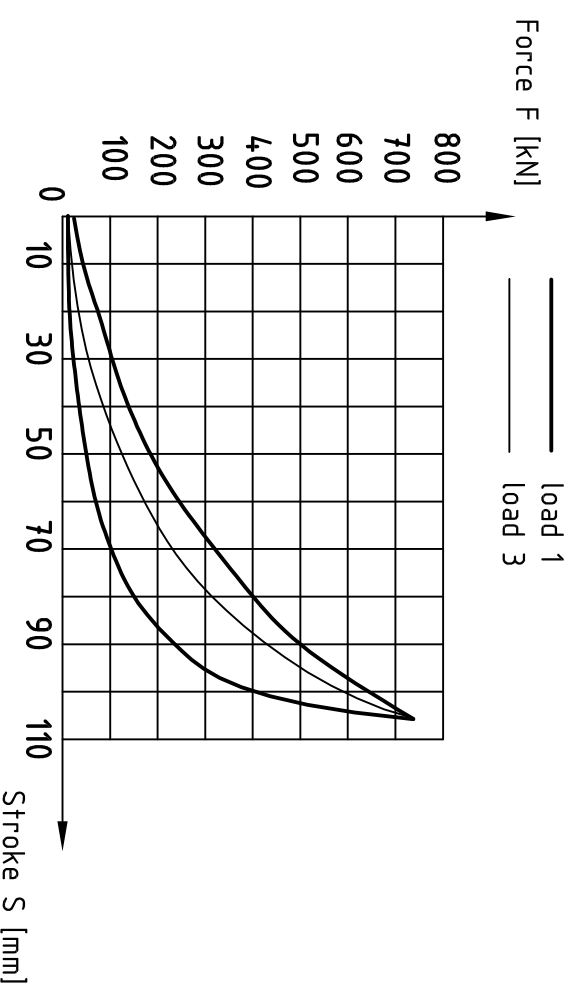


The buffers meet the requirements of UIC 526-1, UIC 573, standard EN15551 and RID regulations referring to the protection of dangerous materials in transport.

Static characteristic



| Technical parameters | | |
|---------------------------------------|------|----------|
| Stroke reversible/irreversible | (mm) | 105/170 |
| Initial force reversible/irreversible | (kN) | 20/>1500 |
| End force reversible/irreversible | (kN) | 700/1600 |
| Capacity | (kJ) | >30 |

Crash buffer type IP250 AX

AXXTONE
RAILWAY COMPONENTS

Offer drawing

No.: C125.A1050200